

FM Choice

F588HP

Up to 5 A | 100 mil | ICT application



Electrical specifications

Current [A]	5
R _{TYP} [mOhm]	<20

Mechanical specifications

Temperature [°C]	-45°...+100°	
Preload [cN]	110	140
Spring force [cN] at nt ±20%	180	300
Nominal travel [mm]	9.3	9.3
Maximum travel [mm]	11.7	11.7

Materials and plating

Plunger	Palladium alloy	unplated
Barrel	Nickel silver	gold plated
Spring	Spring steel	silver plated
Receptacle	Nickel silver	gold plated

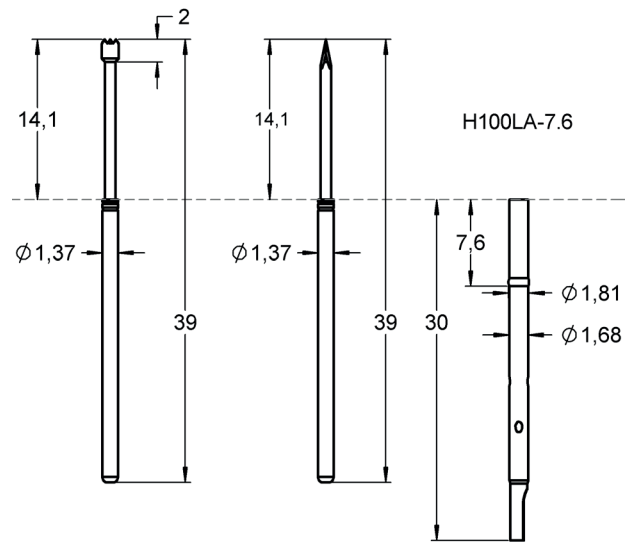
Accessories

1010818	H100LA-7.6	Receptacle
1008392	FEWZ-100EV	Insertion tool receptacle
1003566	FDWZ-100	Insertion tool probe

* Overview of other receptacles H100 on page 34+35

Series drawing

All measurements are in mm.



Order code	Product name	Tip Style	Tip Ø [mm]	Material/Plating	Force [cN]	Thread [M]	Version	FM Choice
1019480	F58821S090P300HP	21	0.90	S / P	300	-	HP	-
1013000	F58833S090P300HP	33	0.90	S / P	300	-	HP	FM Choice
1043611	F58833S090P300HPS	33	0.90	S / P	300	-	HPS	FM Choice
1019481	F58837S050P300HP	37	0.50	S / P	300	-	HP	-
1019483	F58866B250P300HP	66	2.50	S / P	300	-	HP	-