

F075HPL

Up to 4 A | 75 mil | ICT application



Electrical specifications

Current [A]	4
R _{TYP} [mOhm]	<40

Mechanical specifications

Temperature [°C]	-45°...+100°	
Preload [cN]	120	130
Spring force [cN] at nt ±20%	200	250
Nominal travel [mm]	4.3	4.3
Maximum travel [mm]	6.4	6.4

Materials and plating

Plunger	Palladium alloy	unplated
Barrel	Nickel silver	gold plated
Spring	Spring steel	silver plated
Receptacle	Nickel silver	gold plated

Accessories

1010808	H075LA-7.6	Receptacle
1008325	FEWZ-075EV	Insertion tool receptacle
1003587	FDWZ-075	Insertion tool probe

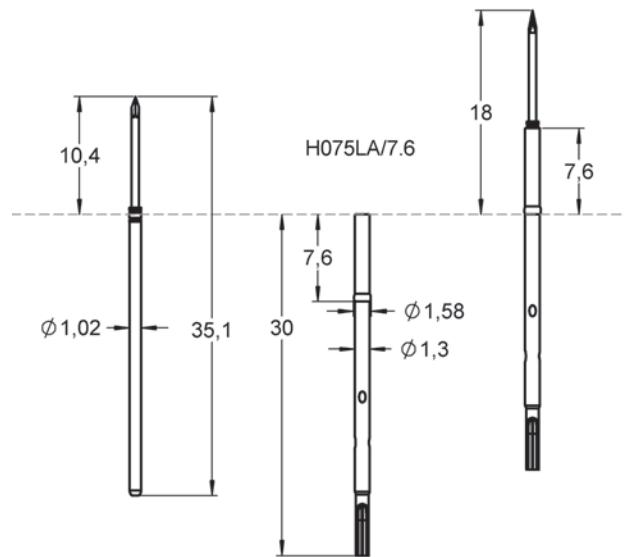
* Overview of other receptacles H075 on page 52+53

Drill size recommendation (mm)

H075...	Press ring as stop	1.29 - 1.30
H075...	Press ring inserted	1.36 - 1.40

Series drawing

All measurements are in mm.



Order code	Product name	Tip Style	Tip Ø [mm]	Material/Plating	Force [cN]	Thread [M]	Version	FM Choice
1053951	F07521S064P200HPL	21	0.64	S / P	200	-	HPL	
1010292	F07521S064P250HPL	21	0.64	S / P	250	-	HPL	
1014299	F07532S064P250HPL	32	0.64	S / P	250	-	HPL	-

BASIC PROBES 75 MIL

Order code	Product name	Tip Style	Tip Ø [mm]	Material/Plating	Force [cN]	Thread [M]	Version	FM Choice
1001149	F07533S064L200HPL	33 	0.64	S / P	200	-	HPL	
1010288	F07533S064P200HPL	33 	0.64	S / P	200	-	HPL	
1010291	F07533S064P250HPL	33 	0.64	S / P	250	-	HPL	
1010289	F07543S064P200HPL	43 	0.64	S / P	200	-	HPL	
1010290	F07562S064P200HPL	62 	0.64	S / P	200	-	HPL	