



HF77-0003BG01-1

Contacting of 1-fold H-MTD male connectors or GEMnet

NEW

Centers (mm/mil)	10,00 / 394
Current (Circular)	1 A
Current (Internal)	1 A
Impedance [Z]	100 Ohm
Frequency	14 GHz
Temperature	-20°C...+80°C

Spring Force (cN ±20%)

	Preload	Nominal
Internal Cont.	130	195
Circular Cont.	470	690

Travel (mm)

	Nominal	Maximum
Internal Cont.	0,9	1,2
Circular Cont.	2,5	3,5

Materials and Plating

Internal Cont.	BeCu, gold plated
Circular Cont.	Brass, gold plated
Barrel	Brass, gold plated
Spring	Music Wire, gold plated
Internal Cont.	Music Wire, gold plated
Spring	Music Wire, gold plated
Circular Cont.	Music Wire, gold plated
Flange	Brass, nickel-plated

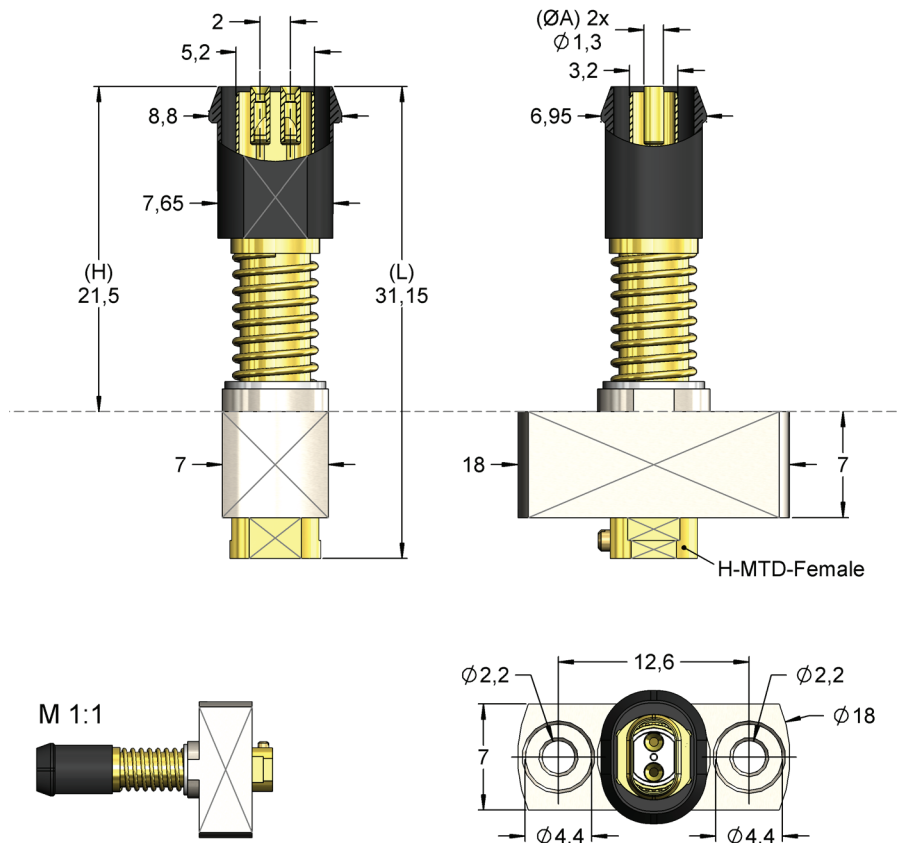
Accessories

Inner pin	F07751B130G195
Assembly tool	FZWZ-005
Connection element 500mm	H77AE1
Connection element 1000mm	H77AE2

Order Code

1051338

HF77-0003BG01-1



The new generation of RF probes for contacting the 1-fold H-MTD male connector offers many additional advantages over the previous generation:

- Wobbling function to compensate for misalignments
- Locking function to avoid unwanted deflection
- More gentle to the DUT
- Direct cable connection with standard H-MTD-female connector for better signal transmission; thus no additional connection element is required as with the „old“ H-MTD probes
- Inner conductor exchangeable

Also suitable for contacting **GEMnet** connectors from TE.

Male



1-fold

