



**HF19-0006 HSD-M 3 P HSD**

**Contacting  
HSD-Male**

**NEW**

<b>Centers (mm/mil)</b>	12,0 / 472
<b>Current (Circular)</b>	10,0 A
<b>Current (Internal)</b>	3,0 A
<b>Impedance [Z]</b>	100 Ohm
<b>Frequency</b>	3 GHz
<b>Temperature</b>	-20°C...+80°C

**Spring Force (cN ±20%)**

	<b>Preload</b>	<b>Nominal</b>
Total	-	2020
Internal Cont.	75	130
Circular Cont.	900	1500

**Travel (mm)**

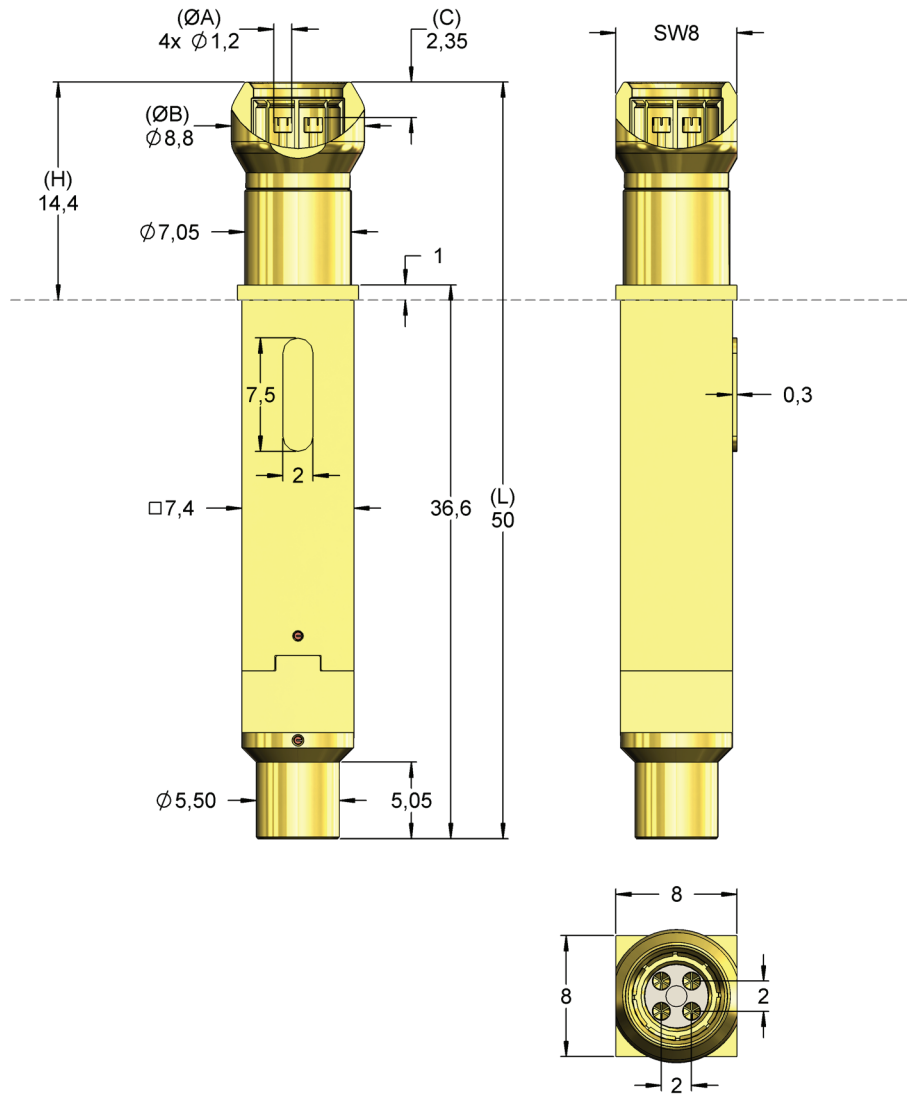
	<b>Nominal</b>	<b>Maximum</b>
Internal Cont.	2,0	3,7
Circular Cont.	5,0	6,0
Wrench Size	6,0 / 7,0	

**Materials and Plating**

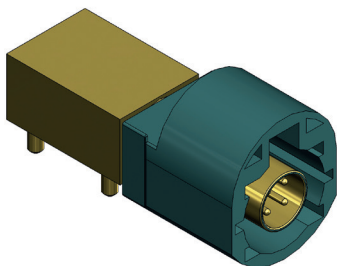
Internal Cont.	BeCu, gold plated
Circular Cont.	BeCu, gold plated
Barrel	Brass, gold plated
Spring	
Internal Cont.	Music Wire, gold plated
Spring	
Circular Cont.	Stainless steel, unplated

**Accessories**

Internal pin	F08655B120G130
Tool for changing internal pin	FZWZ-004 / FDWZ-050



With its spherical ring contact, the HF probe can better center itself in the HSD connector. With its larger diameters of the internal pins and the self-cleaning tip style this version is well suitable for contacting contaminated DUTs. The reduced connection area allows a direct connection to connection element H819AE1.



H819



H819AE1 (HSD-Female)

HSD-Male (D4S20A-40MLS-Z)

<b>Order Code</b>	<b>Description</b>	<b>Sensepin</b>	<b>Tip Style</b>	<b>Ø A</b>	<b>Ø B</b>	<b>C</b>	<b>H</b>	<b>L</b>	<b>Version</b>
HF81955B1006G2020	HF19-0006 HSD-M 3 P HSD		55	1,20	8,80	-2,35	14,40	50,00	-



# F086

## Internal Contact for RF Probes HF819 and HF860

<b>Centers (mm/mil)</b>	1,27 / 50
<b>Current</b>	3,0 A
<b>R<sub>typ</sub></b>	10 mOhm
<b>Temperature</b>	-20°C...+80°C

### Spring Force (cN ±20%)

Version	Preload	Nominal
Standard	75	130
SP	75	130

### Travel (mm)

Version	Nominal	Maximum
Standard	2,0	3,7
SP	2,0	3,7
Pointing Accuracy		±0,05 mm

### Materials and Plating

Plunger	see Tip Style
Barrel	Bronze, gold plated
Spring	Music Wire, gold plated
Receptacle	Nickel silver, gold plated

### Accessories

Insertion tool receptacle	FEWZ-050EV
Insertion tool receptacle	FEWZ-050E0
Insertion tool probe	FDWZ-050

### Drill Size (mm)

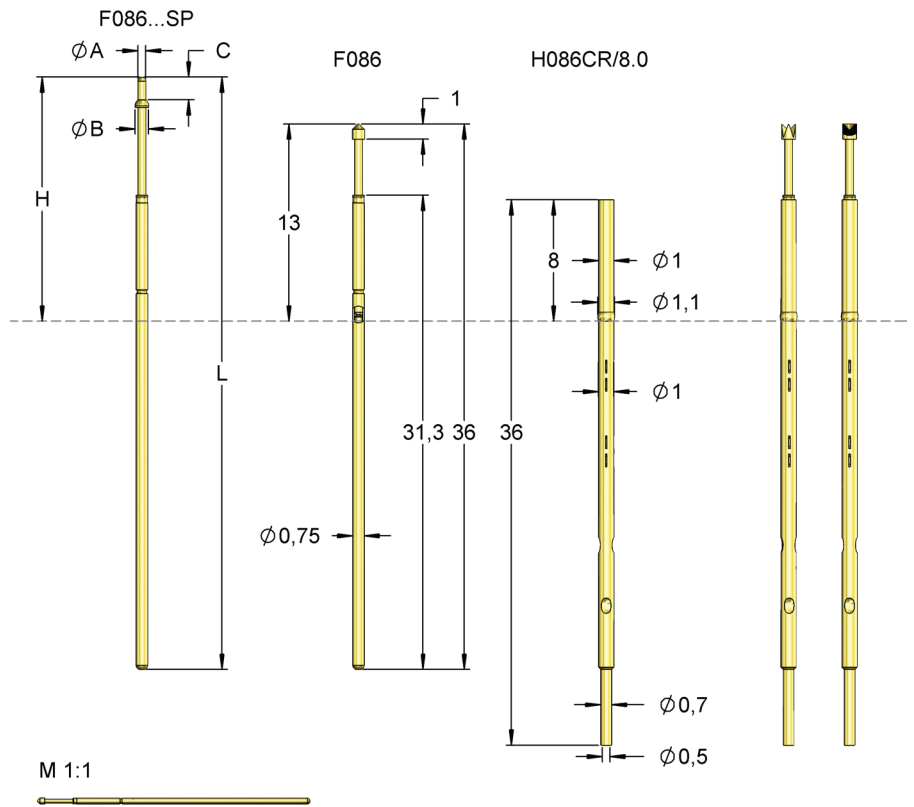
Receptacle press ring as stop	0,99 - 1,00
Receptacle press ring inserted	1,05 - 1,07

### Projection Height (mm)

H086CR/8.0 with F086	5,0 - 13,0
H086CR/8.0 with F086...SP	8,1 - 16,1

Series	Tip-Ø	Spring Force (cN)
<b>F086</b>	<b>14</b>	<b>S 090 L 130</b>
	Tip Style	Material Plating Version

**Material:** B = BeCu, S = Steel  
**Tip-Ø:** 090 = 0,90 mm (e.g.)  
**Plating:** G = Gold plated, L = Longtime gold plated  
**Version:** SP = Step Probe (see table)  
**Receptacle:** Order Code according drawing



The F086 is mounted in the RF probes HF860 and HF819 as internal contact for signal transmission.

\* deviating from standard, depending on diameter.

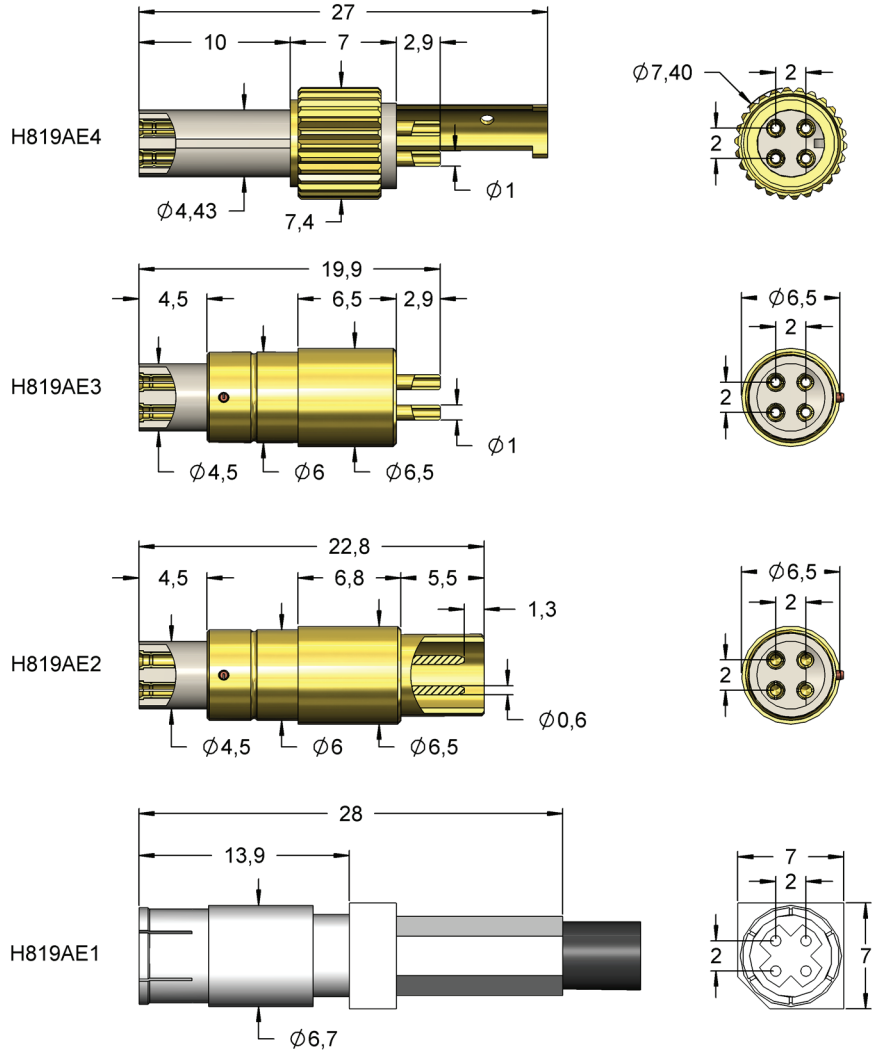
Tip Style	Number	Material	Plating	Ø in mm	Version
	02	B	G	0,80	-
	02	B	3,00	G	S1
	02	B	G	1,80	-
	05	B	G	0,90	-
	05	B	G	1,50	-
	11	B	G	0,51	-
	14	B	L	0,90	-
	18	B	G	0,51	-
	55	B	G	0,90	-

Order Code	Tip Style	Ø A	Ø B	C	H	L	Version
F08612B0002G130SP *	12	0,51	0,90	1,50	8,10	39,10	SP
F08612B0004G130SP *	12	0,60	0,90	1,50	8,10	39,10	SP
F08612B0003G130SP *	12	max. 0,60	0,90	1,50	8,10	39,10	SP

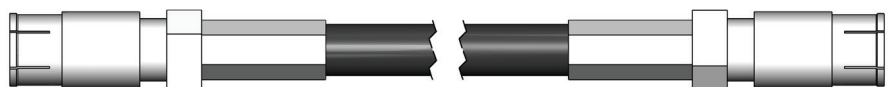


# H819AEx

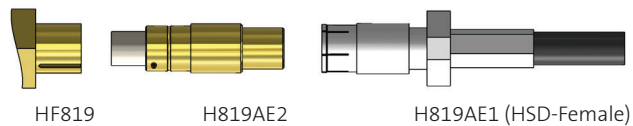
## Connecting Elements for HF819



**Connection on both sides:**  
D4K- Dacar 535,  
socket 4-pole, straight  
Length: 500 mm (± 10 mm)



By combining the connection elements H819AE2 and H819AE1 a defined and reproducible measuring setup with fix parameters can be realized.



### Connection units selectable

